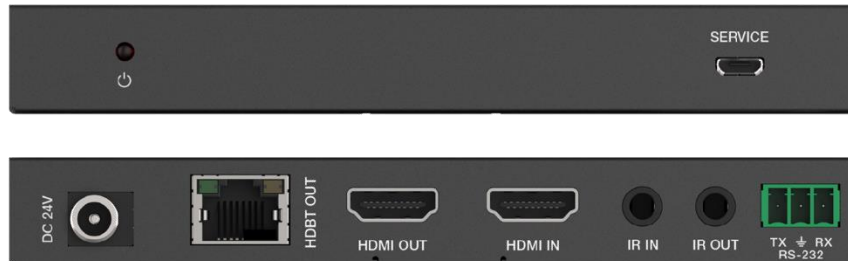


HDMI 2.0 EXTENDER (120m/PoC)

Model: DSG-HDMI-460LR

Transmitter



Receiver



This 18Gbps HDMI Extender can extend high definition video / audio signal, RS-232, bi-directional IR, and the distance is up to 492ft / 150 meters between Transmitter and Receiver via a single CAT cable. It supports resolution up to 4K60Hz 4:4:4, 18Gbps and HDCP 2.2. One HDMI local video loop-out port is available for output. The Extender also supports de-embedded audio for L/R audio output. In addition, the Extender is equipped with two-way IR pass-through which allows for source and display control.

This HDMI Extender includes two units: Transmitter unit and Receiver unit. The Transmitter unit is responsible for capturing HDMI input signal and carrying the signal via one cost effective Cat5e/6 cable, and transmitting / emitting IR control signals. The Receiver unit is responsible for receiving the HDMI signal and transmitting / emitting IR control signal. The Extender offers the most convenient solution for HDMI extension via a single Cat5e/6 with long distance capability, and is the perfect solution for any application.

HDMI 2.0 EXTENDER (120m/PoC)

- ☆ HDCP 2.2 / HDCP 1.4 and DVI 1.0 compliant
- ☆ Support 18Gbps video bandwidth, and resolution up to 4K@50/60Hz 4:4:4
- ☆ The maximum extended transmission distance via a single CAT5E/6 cable is as follows:
 - 394ft / 120 meters for 4K signal
 - 492ft / 150 meters for 1080P signal
- ☆ Support one HDMI local video loop-out port on the Transmitter
- ☆ Support de-embedding audio to analog stereo output on Receiver
- ☆ With bi-directional IR, RS-232 and CEC pass-through
- ☆ HDR, HDR10+, Dolby Vision and HLG function supported
- ☆ Support PoC (Power over Cable) function
- ☆ Compact design for easy and flexible installation

SPECIFICATIONS

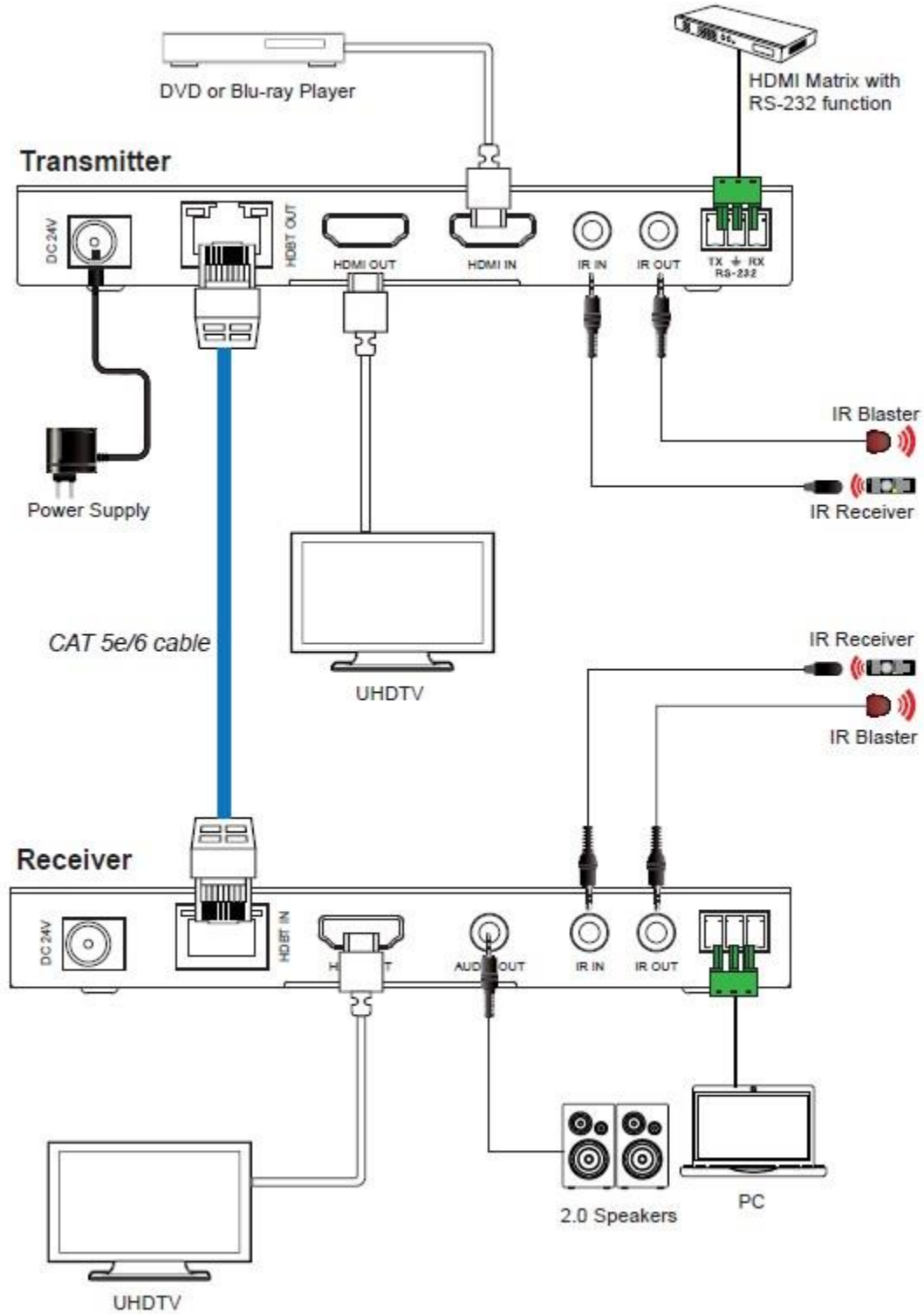
Technical	
HDCP Compliance	HDCP 2.2 / HDCP 1.4
Video Bandwidth	18Gbps
Video Resolution	4K 50/60Hz 4:4:4 4K 50/60Hz 4:2:2 4K 50/60Hz 4:2:0 4K 30Hz 4:4:4 1080p, 1080i, 720p, 720i, 480p, 480i All HDMI 3D TV formats All PC resolutions including 1920 x 1200
Colour Space	RGB / YCbCr 4:4:4, YCbCr 4:2:2, YCbCr 4:2:0
Colour Depth	8/10/12-bit (1080P60Hz, 4K30Hz, 4K60Hz YCbCr 4:2:2/4:2:0) 8-bit (4K60Hz 4:4:4)
HDMI Audio Formats	LPCM 2.0/2.1/5.1/6.1/7.1, Dolby Digital, Dolby TrueHD, Dolby Digital Plus(DD+), DTS-ES, DTS HD Master, DTS HD-HRA, DTS-X
L/R Audio Support	PCM 2.0

HDMI 2.0 EXTENDER (120m/PoC)

ESD Protection	Human body model — $\pm 8\text{kV}$ (air-gap discharge) and $\pm 4\text{kV}$ (contact discharge)
Connections	
Transmitter	Input: 1 x HDMI IN [Type A 19-pin female] Output: 1 x HDMI OUT [Type A 19-pin female] Control: 1 x IR IN [3.5mm Stereo Mini-jack] 1 x IR OUT [3.5mm Stereo Mini-jack] 1 x RS-232 [Phoenix jack] 1 x Service [Micro-USB jack] Network: 1 x HDBT OUT [RJ45, 8-pin female]
Receiver	Output: 1 x HDMI OUT [Type A 19-pin female] 1 x AUDIO OUT [3.5mm Stereo Mini-jack] Control: 1 x IR IN [3.5mm Stereo Mini-jack] 1 x IR OUT [3.5mm Stereo Mini-jack] 1 x RS-232 [Phoenix jack] 1 x SERVICE [Mini-USB, Update port] Network: 1 x HDBT IN [RJ45, 8-pin female]
Mechanical and Environmental	
Housing	Metal Enclosure
Colour	Black
Dimensions	Transmitter / Receiver: 140mm [W] x 65mm [D] x 18mm [H]
Weight	Transmitter: 160g, Receiver: 155g
Power Supply	Input: AC 100 - 240V 50/60Hz Output: DC 24V/1A (Locking connector)
Power Consumption (Max)	9.36W
Operating Temperature	32°F to 104°F / 0°C to 40°C
Storage Temperature	-4°F to 140°F / -20°C to 60°C
Relative Humidity	20 to 90% RH (non-condensing)
Resolution / Distance	
4K	394ft / 120m
1080P	492ft / 150m

HDMI 2.0 EXTENDER (120m/PoC)

CONNECTION DIAGRAM



HDMI 2.0 EXTENDER (120m/PoC)

PACKAGE CONTENTS

- ① 1 x 18Gbps HDMI over HDBaseT Extender Transmitter
- ② 1 x 18Gbps HDMI over HDBaseT Extender Receiver
- ③ 1 x IR Blaster Cable (1.5m)
- ④ 1 x 20 ~ 60KHz IR Receiver Cable (1.5m)
- ⑤ 4 x Mounting Ear
- ⑥ 2 x 3-pin Phoenix connector
- ⑦ 1 x 24V/1A Locking Power Adapter
- ⑧ 1 x User Manual