

# 4K60 HDMI VIDEO EXTENDER

**HDMI 2.0b, 4K60, Local Out, 2-Way IR, PoC, 70m**

**Model: DSG-HDMI-460C**



This 18Gbps HDMI Video Extender can extend HDMI signals and IR control signal up to 70m (230 feet) via a single CAT6/6a cable, achieving zero-delay, uncompressed long-distance transmission between the Transmitter and Receiver. The video resolution supports up to 4K@60Hz. It features EDID copy pass-through functionality between the source device and display device, as well as PoC functionality. This Extender is ideal for use in multimedia conference halls, TV teaching, and large-screen displays.

- ☆ HDMI 2.0b and HDCP 2.2 compliant
- ☆ Supports 18Gbps video bandwidth
- ☆ Supports video resolutions up to 4K@60Hz RGB/YCbCr 4:4:4
- ☆ Transmission distance can be extended up to 230ft / 70m via a single CAT6/6a cable
- ☆ Supports HDR, HDR10, HDR10+, Dolby Vision, HLG
- ☆ Supports bi-directional IR control signal pass-through
- ☆ Audio formats: LPCM 7.1, Dolby TrueHD, DTS HD Master Audio
- ☆ EDID copy pass-through function between the source device and display device
- ☆ Supports ARC and audio de-embedding; audio output through optical fiber port of the Receiver
- ☆ Supports bi-directional PoC (Power over Cable) functionality
- ☆ Compact design for easy and flexible installation

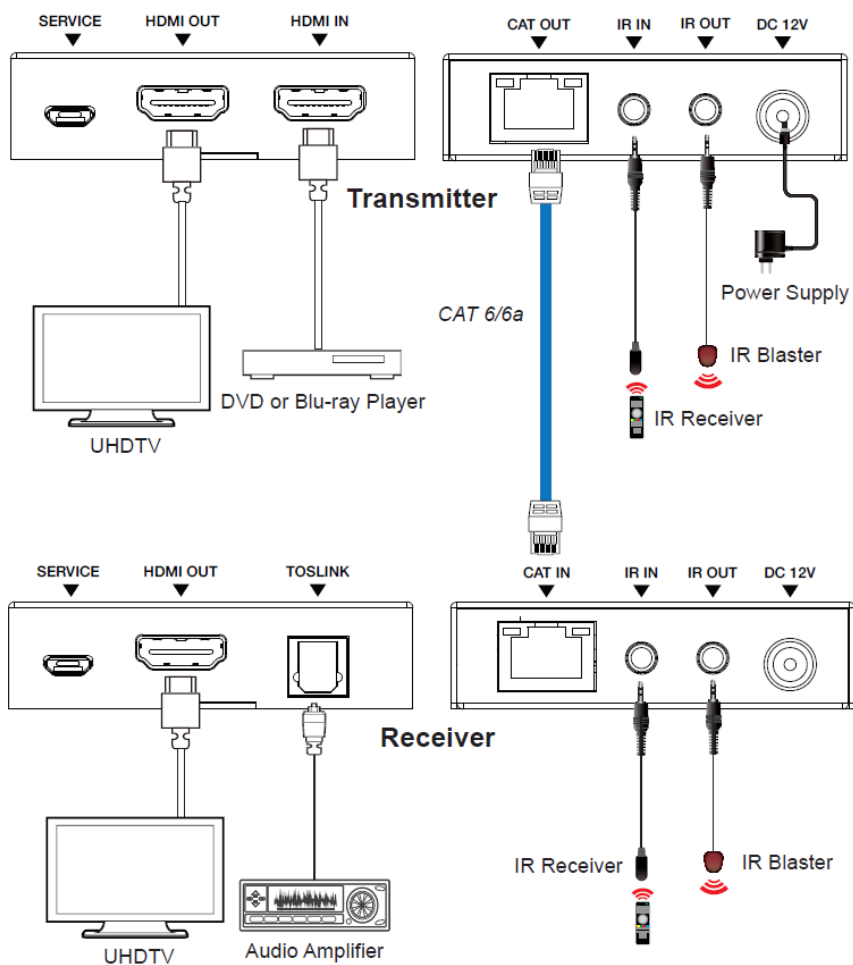
# 4K60 HDMI VIDEO EXTENDER

## SPECIFICATIONS

Technical	
HDMI Compliance	HDMI 2.0b
HDCP Compliance	HDCP 2.2
Video Bandwidth	18Gbps
Video Resolution	Up to 4K@60Hz RGB/ YCbCr 4:4:4
IR Level	5Vp-p
IR Frequency	Wideband 20K-60KHz
Transmission Distance	4K@60Hz 4:4:4 – 70m, 1080P – 70m (CAT6/6a cable)
Color Space	RGB 4:4:4, YCbCr 4:4:4, YCbCr 4:2:2, YCbCr 4:2:0
Color Depth	8/10/12bit
HDR	HDR, HDR10, HDR10+, Dolby Vision, HLG
Audio Formats	HDMI: LPCM 7.1CH, Dolby True HD, DTS-HD Master Optical: Dolby 5.1, DTS 5.1, PCM 2.0
ESD Protection	Human body model — ±8kV (air-gap discharge) & ±4kV (contact discharge)
Connections	
Transmitter	Input: 1 x HDMI IN [Type A, 19-pin female] Output: 1 x HDMI OUT [Type A, 19-pin female] Control: 1 x SERVICE [Micro-USB jack] 1 x IR IN [3.5mm Stereo Mini-jack] 1 x IR OUT [3.5mm Stereo Mini-jack] Network: 1 x CAT [RJ-45, 8-pin female]
Receiver	Output: 1 x HDMI OUT [Type A, 19-pin female] 1 x TOSLINK Control: 1 x SERVICE [Micro-USB jack] 1 x IR IN [3.5mm Stereo Mini-jack] 1 x IR OUT [3.5mm Stereo Mini-jack] Network: 1 x CAT [RJ-45, 8-pin female]
Mechanical and Environmental	
Housing	Metal Enclosure
Colour	Black
Dimensions	Transmitter / Receiver: 90mm (W) × 68mm (D) × 18mm (H)
Weight	Transmitter: 160g, Receiver: 155g
Power Supply	DC 12V/1A; supports bi-directional PoC functionality
Power Consumption	3.36W (Max)
Operating Temperature	32°F to 104°F / 0°C to 40°C
Storage Temperature	-4°F to 140°F / -20°C to 60°C
Relative Humidity	20 to 90% RH (non-condensing)

# 4K60 HDMI VIDEO EXTENDER

## CONNECTION DIAGRAM



## PACKAGE CONTENTS

- ① 1 × 18Gbps HDMI Video Extender (Transmitter)
- ② 1 × 18Gbps HDMI Video Extender (Receiver)
- ③ 1 × IR Blaster cable (1.5 meters)
- ④ 1 × IR Wideband Receiver cable (1.5 meters)
- ⑤ 4 × Mounting Ears
- ⑥ 8 × Machine Screws (KM3\*4)
- ⑦ 1 × 12V/1A Locking Power Adapter
- ⑧ 1 × User Manual

# 4K60 HDMI VIDEO EXTENDER

## WARRANTY

- Standard 1-Year Limited Warranty, unless otherwise specified by Sales.
- Optional Advance Replacement Warranty is available upon request

## ORDERING INFORMATION

Part Number	Descriptions
<b>DSG-HDMI-460C</b>	HDMI 2.0b 4K60 Extender with Local Out, 2-Way IR, PoC, 70m

## CONTACT INFORMATION

For more information, please visit our website or contact our customer service team:

- **Website:** [www.dsgio.com](http://www.dsgio.com)
- **Email:** [sales.apac@dsgio.com](mailto:sales.apac@dsgio.com)

### DISCLAIMER

DSGio shall not be liable for any damages, including punitive, consequential, or cost of cover damages, arising from any errors in the product information or specifications provided in this document. This document is subject to revision by DSGio at any time without prior notice.