

1080P HDMI VIDEO EXTENDER

HDMI 1.4, 1080P, Local Out, 1-Way IR, PoC, 70m

Model: DSG-HDMI-430C



This HDMI Video Extender can extend high-definition video/audio signal and IR control signals up to 70m (230 feet) for 1080p resolution, and 40m (131 feet) for 4K30 resolution via a single CAT6 cable. It can achieve zero-delay, uncompressed long-distance transmission between the Transmitter and Receiver. This Extender, with HDMI loop output can be cascaded to the next Extender, supporting resolutions up to 4K@30Hz. It supports EDID copy function (you can choose local or remote EDID) and audio formats up to PCM7.1, Dolby True HD, and DTS HD. This product can be widely used in multimedia conference halls, TV teaching, and large-screen displays.

- ☆ HDMI 1.4, HDCP 1.4 and DVI 1.0 compliant
- ☆ Supports video resolutions up to 4K@30Hz YUV 4:4:4
- ☆ Maximum transmission distance via a single CAT6/5E cable:
 - CAT6: 230ft/70m for 1080p, 131ft/40m for 4K30
 - CAT5E: 197ft/60m for 1080p, 115ft/35m for 4K30
- ☆ Supports copying EDID from Receiver display or loop-out display
- ☆ Allows for cascading via additional HDMI loop-out port
- ☆ Supports one-way PoC functionality (from Transmitter to Receiver)
- ☆ One-way IR signal transmission
- ☆ Compact design for easy and flexible installation

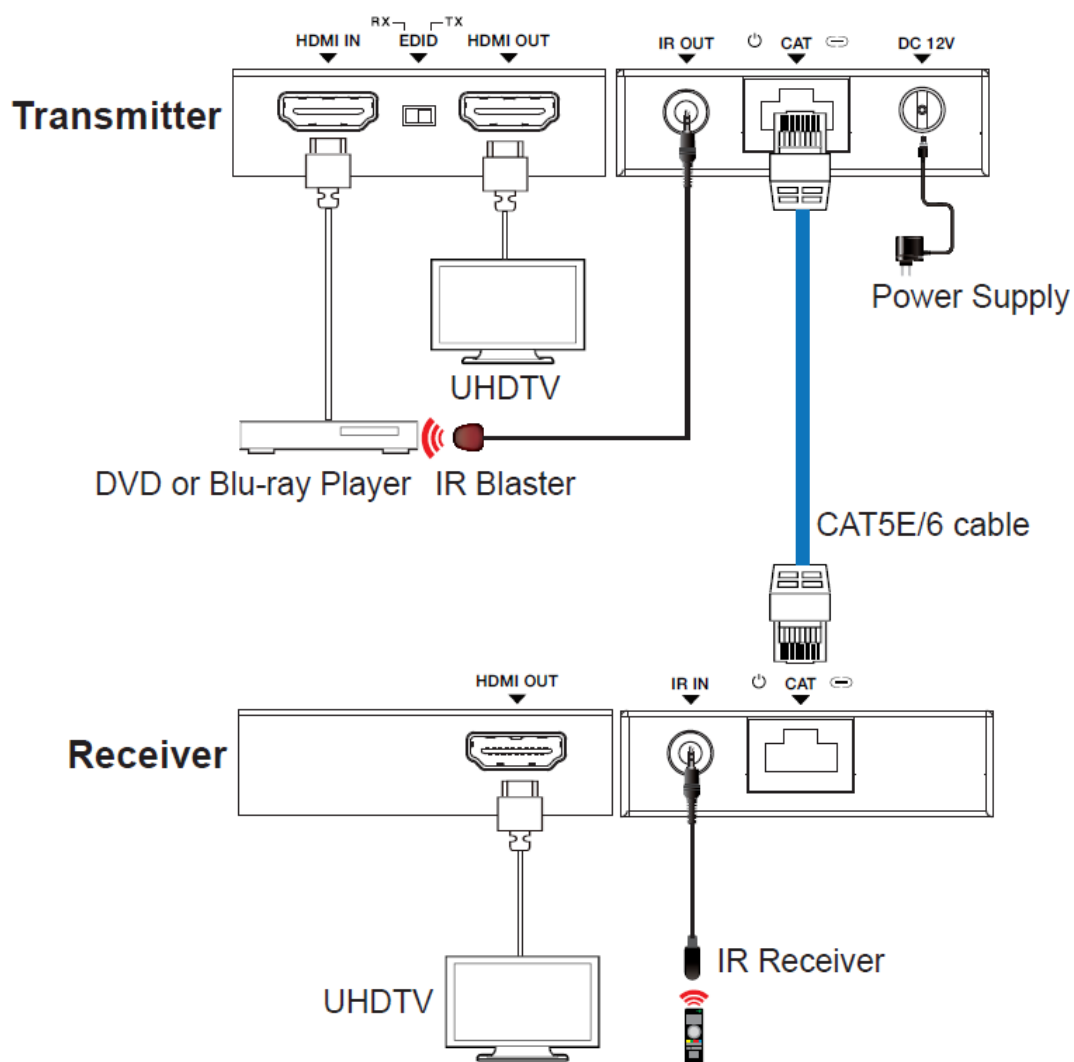
1080P HDMI VIDEO EXTENDER

SPECIFICATIONS

Technical	
HDMI Compliance	HDMI 1.4
HDCP Compliance	HDCP 1.4
Video Bandwidth	10.2Gbps
Video Resolution	Up to 4K@30Hz
Audio Support	Up to 7.1CH HD audio
Input TMDS Signal	3.3 volts
Input DDC Signal	5.0 volts/P-P
ESD Protection	Human body model — ±8kV (air-gap discharge) and ±4kV (contact discharge)
Connections	
Transmitter	Input: 1 x HDMI IN [Type A 19-pin female] Output: 1 x HDMI OUT [Type A 19-pin female] 1 x IR OUT [3.5mm Stereo Mini-jack] Network: 1 x CAT [RJ-45, 8-pin female]
Receiver	Input: 1x IR IN [3.5mm Stereo Mini-jack] Output: 1 x HDMI OUT [Type A 19-pin female] Network: 1 x CAT [RJ-45, 8-pin female]
Mechanical and Environmental	
Housing	Metal Enclosure
Colour	Black
Dimensions	Transmitter / Receiver: 79.5mm[W] x 69mm[D] x 16.5mm[H]
Weight	Transmitter: 132g, Receiver: 130g
Power Supply	12V/1A DC
Power Consumption	Transmitter: 1.86W, Receiver: 0.87W
Operating Temperature	32°F to 104°F / 0°C to 40°C
Storage Temperature	-4°F to 140°F / -20°C to 60°C
Relative Humidity	20 to 90% RH (non-condensing)

1080P HDMI VIDEO EXTENDER

CONNECTION DIAGRAM



PACKAGE CONTENTS

- ① 1 × HDMI Video Extender (Transmitter)
- ② 1 × HDMI Video Extender (Receiver)
- ③ 1 × IR Blaster Cable (1.5m)
- ④ 1 × IR Receiver Cable (1.5m)
- ⑤ 1 × 12V/1A DC Power Adapter
- ⑥ 1 × User Manual

1080P HDMI VIDEO EXTENDER

WARRANTY

- Standard 1-Year Limited Warranty, unless otherwise specified by Sales.
- Optional Advance Replacement Warranty is available upon request

ORDERING INFORMATION

Part Number	Descriptions
DSG-HDMI-430C	HDMI 1.4 1080P Extender with Local Out, 1-Way IR, PoC, 70m
(OPTIONAL)	
VDC-HCL20-001M	Premium High Speed HDMI 2.0 Type A (Male) to Type A (Male) Cable with Ethernet, 4K60, 18Gbps, LSZH, 1m
VDC-HCL20-002M	Premium High Speed HDMI 2.0 Type A (Male) to Type A (Male) Cable with Ethernet, 4K60, 18Gbps, LSZH, 2m
VDC-HCL20-003M	Premium High-Speed HDMI 2.0 Type A (Male) to Type A (Male) Cable with Ethernet, 4K60, 18Gbps, LSZH, 3m

CONTACT INFORMATION

For more information, please visit our website or contact our customer service team:

- **Website:** www.dsgio.com
- **Email:** sales.apac@dsgio.com

DISCLAIMER

DSGio shall not be liable for any damages, including punitive, consequential, or cost of cover damages, arising from any errors in the product information or specifications provided in this document. This document is subject to revision by DSGio at any time without prior notice.