

# USB 3.0 EXTENDER

**USB 3.2 Gen 1, 5Gbps, RS-232, FSYNC, PoC, 100m**

**Model: DSG-USB-EU300**



The USB 3.0 Extender can extend USB signals up to a distance of 100m (328ft) via a single CAT6a cable. The Transmitter features one USB 3.0 Type B input, one FSYNC GPIO input and one RS-232 pass-through. The Receiver features four USB 3.0 Type A outputs, one FSYNC GPIO output and one RS-232 pass-through. Bi-directional 24V PoC is also supported. This product can be widely used for long-distance signal transmission between a PC and USB devices.

- ☆ Extension of USB 3.0 up to 100m/328ft over CAT6a cable
- ☆ USB 3.0 connectivity with a data transfer rate up to 5Gbps
- ☆ Backward compatible with USB 2.0 and 1.1
- ☆ Hardware acceleration for isochronous and bulk transfers
- ☆ USB-A Port 1 and 2 support 5V/1.5A, Port 3 and 4 support 5V/1A on the Receiver
- ☆ Supports RS-232 pass-through and FSYNC GPIO pass-through (for industrial camera use)
- ☆ Supports bi-directional 24V PoC
- ☆ Simple plug and play, no driver and configuration required

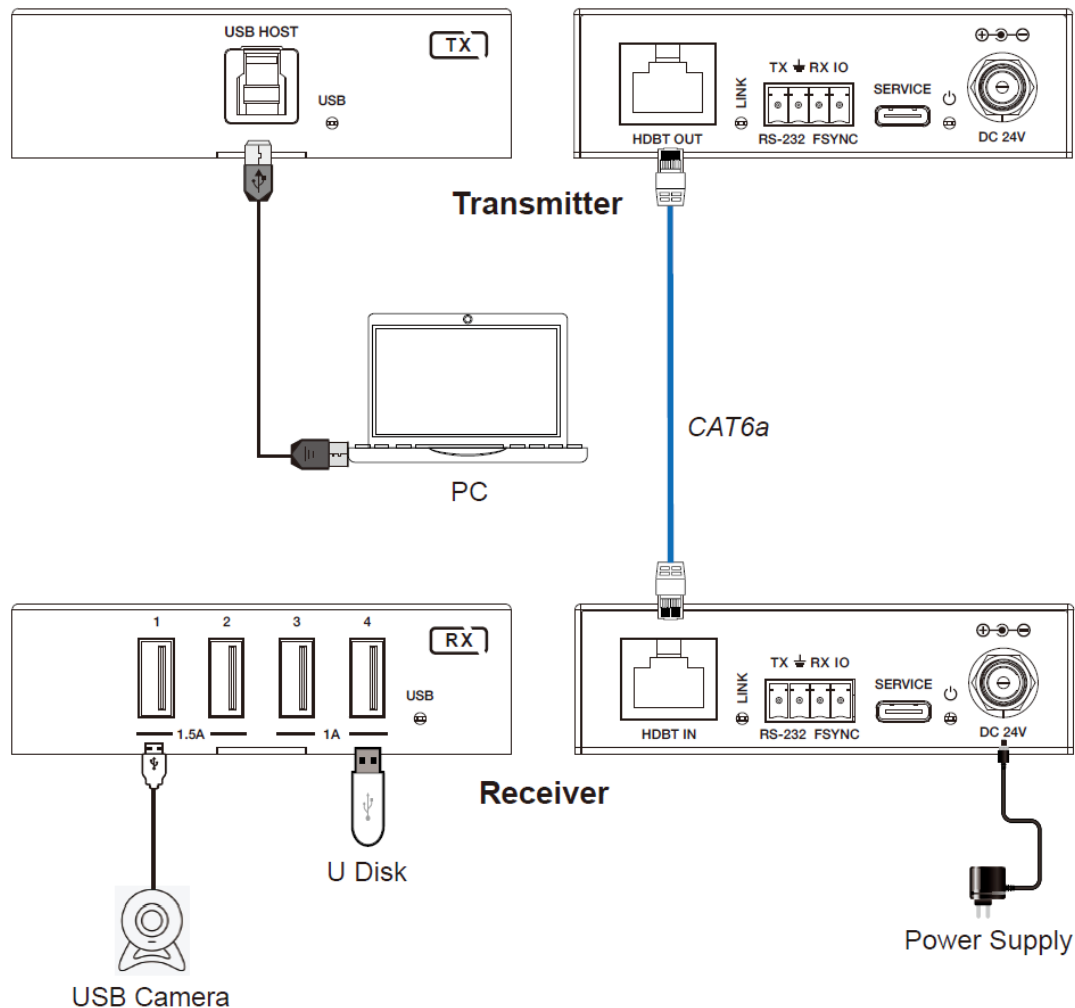
# USB 3.0 EXTENDER

## SPECIFICATIONS

Technical	
USB Protocol	USB 3.0
Transmission Rate	Up to 5Gbps
Network Bandwidth	10G
Transmission Distance	100m/328ft over CAT6a (F/FTP) cable
ESD Protection	IEC 61000-42: ±8kV (air-gap discharge) and ±4kV (contact discharge)
Connections	
Transmitter	Input: 1 × USB HOST [USB-B, 9 pin Female] Output: 1 × HDBT OUT [RJ45, Female] Control: 1 × RS-232 [3 pin-3.5mm Phoenix Connector] 1 × FSYNC [1 pin-3.5mm Phoenix Connector] 1 × SERVICE [USB-C, Update Port]
Receiver	Input: 1 × HDBT IN [RJ45, Female] Output: 4 × USB Devices [USB-A, 9 pin Female] Control: 1 × RS-232 [3 pin-3.5mm Phoenix Connector] 1 × FSYNC [1 pin-3.5mm Phoenix Connector] 1 × SERVICE [USB-C, Update Port]
Mechanical and Environmental	
Housing	Metal Enclosure
Colour	Black
Dimensions	Transmitter / Receiver: 85mm [W] × 100mm [D] × 25.5mm [H]
Weight	Transmitter: 253g Receiver: 260g
Power Supply	Input: AC 100~240V 50/60Hz Output: DC 24V/2A
Power Consumption	PoC Power Supply: 40W (Max)
Operating Temperature	0°C to 40°C / 32°F to 104°F
Storage Temperature	-20°C to 60°C / -4°F to 140°F
Relative Humidity	20 to 90% RH (non-condensing)

# USB 3.0 EXTENDER

## CONNECTION DIAGRAM



## PACKAGE CONTENTS

- ① 1 × USB 3.0 Extender (Transmitter)
- ② 1 × USB 3.0 Extender (Receiver)
- ③ 1 × 24V/2A Locking Power Supply
- ④ 2 × 4 pin-3.5mm Phoenix Connector (Male)
- ⑤ 4 × Mounting Ear
- ⑥ 8 × Machine Screw (KM3\*4)
- ⑦ 1 × User Manual

### DISCLAIMER

DSGio shall not be liable for any damages, including punitive, consequential, or cost of cover damages, arising from any errors in the product information or specifications provided in this document. This document is subject to revision by DSGio at any time without prior notice.