

4K60 HDMI KVM EXTENDER

HDMI 2.0b, 4K60, 2-Way IR, USB 1.1, PoC, 120m

Model: DSG-KEX-150SK



This 18Gbps HDBaseT KVM Extender extends HDMI signals, bidirectional IR control signals, and USB KVM signals up to 120m (394 feet) for 4K60 signal, and 150m (492 feet) for 1080P signal, using a single CAT6 cable. The device converts HDMI signals to standard HDBaseT signals for transmission over LAN cable. Through the bi-directional IR signal pass-through function, users can easily control signal source device or display device remotely. It supports video resolutions up to 4K@60Hz YUV 4:4:4, USB KVM, and Power Over Cable (PoC) function.

The Extender is versatile and finds applications in video conference systems, multimedia signal broadcasting, PC and HDMI signal extension, and more.

- ☆ HDMI 2.0b, HDCP 2.2 and USB 1.1 compliant
- ☆ Supports 18Gbps video bandwidth
- ☆ Supports video resolutions up to 4K@60Hz YUV 4:4:4
- ☆ Transmission distance can be extended up to 492ft / 150m at a resolution of 1080P@60Hz, or 394ft / 120m at 4K@60Hz 4:4:4 via a single CAT6 cable
- ☆ Supports bi-directional IR signal and USB 1.1 KVM signal passthrough
- ☆ Supports bi-directional PoC (Power over Cable) functionality
- ☆ Compact design for easy and flexible installation

4K60 HDMI KVM EXTENDER

SPECIFICATIONS

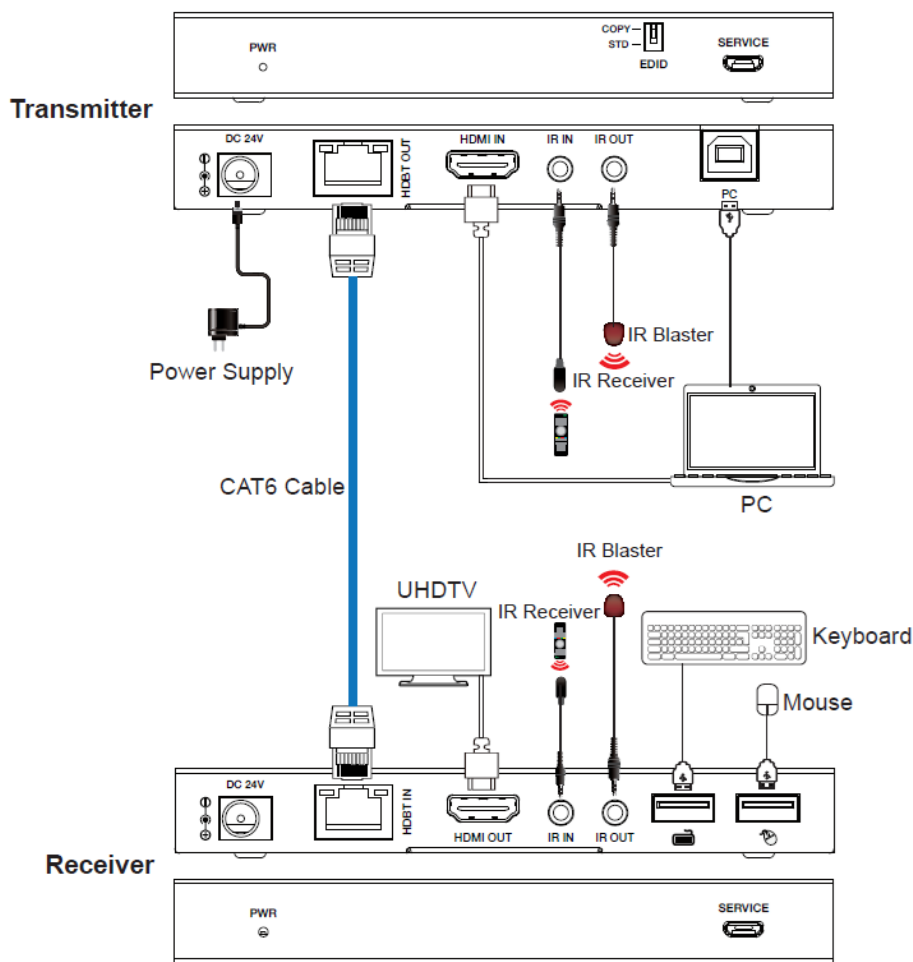
Technical	
HDMI Compliance	HDMI 2.0b
HDCP Compliance	HDCP 2.2
Video Bandwidth	18Gbps
Video Resolution	Up to 4K@60Hz YUV 4:4:4
USB Compliance	USB 1.1
IR Level	5Vp-p
IR Frequency	Wideband 20K – 60KHz
Transmission Distance	4K@60Hz 4:4:4 – 120m, 1080P – 150m
Color Space	RGB, YCbCr 4:4:4, YCbCr 4:2:2
Color Depth	8-bit, (4K@60Hz YUV 4:4:4) 8-bit, 10-bit, 12-bit (4K@30Hz) 8-bit, 10-bit, 12-bit (1080P@60Hz)
HDR	HDR, HDR10, HDR10+, Dolby Vision, HLG
Audio Formats	LPCM 7.1 CH, Dolby TrueHD, and DTS-HD Master
ESD Protection	Human body model – ±8kV (air-gap discharge) & ±4kV (contact discharge)
Connections	
Transmitter	Input: 1 x HDMI IN [Type A, 19-pin female] 1 x IR IN [3.5mm Stereo Mini-jack] 1 x SERVICE [Micro-USB jack] 1 x USB Port [USB Type B, 4-pin female] Output: 1 x IR OUT [3.5mm Stereo Mini-jack] Network: 1 x HDBT OUT [RJ-45, 8-pin female]
Receiver	Input: 1 x IR IN [3.5mm Stereo Mini-jack] 1 x SERVICE [Micro-USB jack] Output: 1 x HDMI OUT [Type A, 19-pin female] 1 x IR OUT [3.5mm Stereo Mini-jack] 2 x USB Port [USB Type A, 4-pin female] Network: 1 x HDBT IN [RJ-45, 8-pin female]

4K60 HDMI KVM EXTENDER

Mechanical and Environmental	
Housing	Metal Enclosure
Colour	Black
Dimensions	Transmitter / Receiver: 140mm (W) × 65mm (D) × 18mm (H)
Weight	Transmitter: 246g, Receiver: 246g
Power Supply	DC 24V/1A; supports bi-directional PoC functionality
Power Consumption	10W
Operating Temperature	32°F to 104°F / 0°C to 40°C
Storage Temperature	-4°F to 140°F / -20°C to 60°C
Relative Humidity	20 to 90% RH (non-condensing)

4K60 HDMI KVM EXTENDER

CONNECTION DIAGRAM



PACKAGE CONTENTS

- ① 1 × 18Gbps HDBaseT KVM Extender (Transmitter)
- ② 1 × 18Gbps HDBaseT KVM Extender (Receiver)
- ③ 1 × IR Blaster cable (1.5 meters)
- ④ 1 × IR Receiver cable (1.5 meters)
- ⑤ 1 × USB cable (1.5 meters)
- ⑥ 4 × Mounting Ears
- ⑦ 8 × Machine Screws (KM3*4)
- ⑧ 1 × 24V/1A Locking Power Adapter
- ⑨ 1 × User Manual

DISCLAIMER

DSGio shall not be liable for any damages, including punitive, consequential, or cost of cover damages, arising from any errors in the product information or specifications provided in this document. This document is subject to revision by DSGio at any time without prior notice.