

# 4K60 HDMI KVM EXTENDER

HDMI 2.0b, 4K60, 2-Way IR, USB 2.0, PoC, 100m

Model: DSG-KEX-150U2



This 18Gbps HDBaseT Extender can extend HDMI signals, bi-directional IR control signals, and USB KVM signals up to a distance of 150m / 492ft (Long Reach Mode) via a single CAT6 cable. This product converts HDMI signals to standard HDBaseT signals and transmits them through a LAN cable. It allows easy control of the signal source device or display device from the remote end through the bi-directional IR signal pass-through function. Video resolution is up to 4K@60Hz YUV 4:4:4. It also supports the PoC function. The Extender can be widely used in various fields such as video conference systems, multimedia signal broadcasting, HDMI signal extension, etc.

- ☆ HDMI 2.0b and HDCP 2.2 compliant
- ☆ Supports 18Gbps video bandwidth
- ☆ Supports video resolutions up to 4K@60Hz YUV 4:4:4
- ☆ Includes Mode DIP switch to select HDBaseT Mode or Long Reach Mode

#### **HDBaseT Mode:**

USB supports USB 2.0 transmission (supports connecting with USB camera, USB flash drive, and other devices); the audio & video signal transmission distance can be extended up to 100m / 328ft for 4K60.

#### **Long Reach Mode:**

USB only supports HID (Human Interface Device) devices; the audio & video signal transmission distance can be extended up to 150m / 492ft for 1080P or 120m / 394ft for 4K60.

# 4K60 HDMI KVM EXTENDER

- ☆ Supports bi-directional IR signal and USB KVM signal pass-through
- ☆ Supports bi-directional PoC (Power over Cable) functionality
- ☆ Advanced EDID Management
- ☆ Compact design for easy and flexible installation

## SPECIFICATIONS

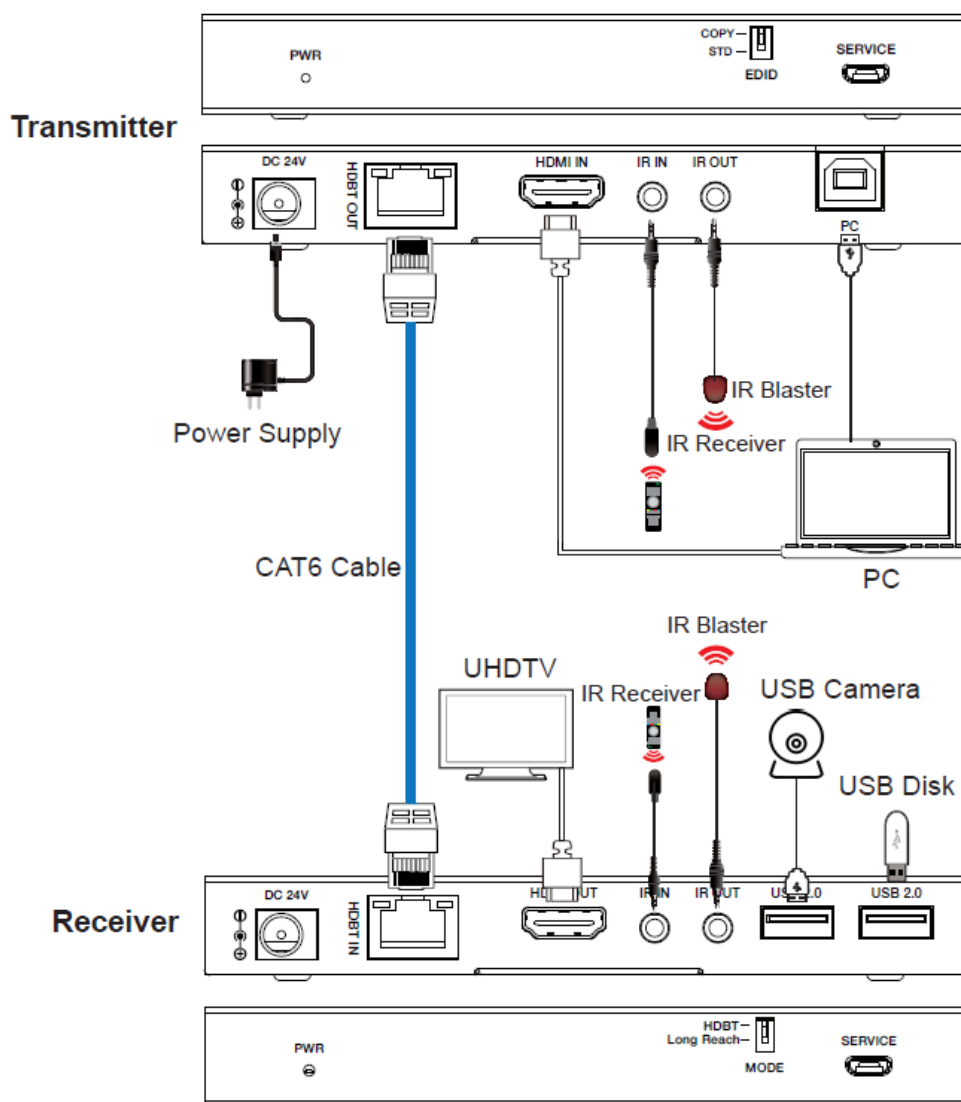
Technical	
HDMI Compliance	HDMI 2.0b
HDCP Compliance	HDCP 2.2
Video Bandwidth	18Gbps
Video Resolution	Up to 4K@60Hz YUV 4:4:4
USB Compliance	USB 2.0
IR Level	5Vp-p
IR Frequency	Wideband 20K - 60KHz
Transmission Distance	<b>HDBaseT Mode:</b> 4K60 – 100m / 328ft <b>Long Reach Mode:</b> 1080P – 150m / 492ft; 4K60 – 120m / 394ft
Colour Space	RGB 4:4:4, YCbCr 4:4:4, YCbCr 4:2:2, YCbCr 4:2:0
Colour Depth	8-bit, 10-bit, 12-bit (1080P) 8-bit, 10-bit, 12-bit (4K30) 8-bit (4K60)
HDR	HDR, HDR10, HDR10+, Dolby Vision, HLG
Audio Formats	LPCM 7.1 CH, Dolby True HD, DTS-HD Master
ESD Protection	Human body model — ±8kV (air-gap discharge) & ±4kV (contact discharge)

# 4K60 HDMI KVM EXTENDER

Connections	
Transmitter	Input: 1 × HDMI IN [Type A, 19-pin female] 1 × IR IN [3.5mm Stereo Mini-jack] 1 × USB [USB-B, 4-pin female] 1 × SERVICE [Micro-USB jack]  Output: 1 × HDBT OUT [RJ-45] 1 × IR OUT [3.5mm Stereo Mini-jack]
Receiver	Input: 1 × HDBT IN [RJ-45] 1 × IR IN [3.5mm Stereo Mini-jack] 1 × SERVICE [Micro-USB jack]  Output: 1 × HDMI OUT [Type A, 19-pin female] 1 × IR OUT [3.5mm Stereo Mini-jack] 2 × USB [USB-A, 4-pin female]
Mechanical & Environmental	
Housing	Metal Enclosure
Colour	Black
Dimensions	Transmitter / Receiver: 140mm (W) × 65mm (D) × 18mm (H)
Weight	Transmitter: 245g, Receiver: 249g
Power Supply	DC 24V/1A Supports bi-directional PoC functionality
Power Consumption	13.2 W (max)
Operating Temperature	0°C ~ 40°C / 32°F ~ 104°F
Storage Temperature	-20°C ~ 60°C / -4°F ~ 140°F
Relative Humidity	20 ~ 90% RH (non-condensing)

# 4K60 HDMI KVM EXTENDER

## CONNECTION DIAGRAM



## PACKAGE CONTENTS

- ① 1 × 18Gbps HDBaseT KVM Extender (Transmitter)
- ② 1 × 18Gbps HDBaseT KVM Extender (Receiver)
- ③ 1 × IR Blaster cable (1.5 meters)
- ④ 1 × IR Wideband Receiver cable (1.5 meters)
- ⑤ 4 × Mounting Ears
- ⑥ 8 × Machine Screws (KM3\*4)
- ⑦ 1 × 24V/1A Locking Power Adapter
- ⑧ 1 × User Manual

# 4K60 HDMI KVM EXTENDER

## WARRANTY

- Standard 1-Year Limited Warranty, unless otherwise specified by Sales.
- Optional Advance Replacement Warranty is available upon request

## ORDERING INFORMATION

Part Number	Descriptions
<b>DSG-KEX-150U2</b>	4K60 HDMI KVM Extender with 2-Way IR, USB 2.0, PoC, 100m

## CONTACT INFORMATION

For more information, please visit our website or contact our customer service team:

- **Website:** [www.dsgio.com](http://www.dsgio.com)
- **Email:** [sales.apac@dsgio.com](mailto:sales.apac@dsgio.com)

### DISCLAIMER

DSGio shall not be liable for any damages, including punitive, consequential, or cost of cover damages, arising from any errors in the product information or specifications provided in this document. This document is subject to revision by DSGio at any time without prior notice.