

# USB Active Optical Cable

**USB 3.1 Type A Male to Type C Male AOC, Supports Gen 2 10Gbps, Backward Compatible with USB 2.0 and 1.1**

SKU: UDC-AMCM10G-XXXM

## PRODUCT OVERVIEW

The **USB 3.1 Type A Male to Type C Male Active Optical Cable (AOC)** is a Gen2 active optical cable that supports backward compatibility with USB 2.0 and USB 1.1. Its high-speed data transmission relies on optical fiber, enabling significantly longer cable lengths, up to 15 meters, while ensuring stable signal quality with no EMI interference. It supports 10Gbps SuperSpeed transmission, meeting the USB 3.1 Gen2 (now renamed USB 3.2 Gen2) standard. This optical fiber cable is ideal for applications where an on-site power supply is unavailable, such as machine vision, remote monitoring, and more.



## KEY FEATURES

- Engineered to meet USB 3.1 Gen2 standard supporting data transfer rates of up to 10Gbps over distances of up to 15m (49.2ft).
- Supports lengths up to 15m.
- Supports USB 3.0 devices and backward compatible with USB 2.0, and USB 1.1.
- Provides up to 5V/900mA power to connected devices.
- Compatible with Windows, Mac OS, and Linux.
- Plug-and-play, requires no external power adapter.
- Offers fiber-optic noise immunity for high-performance, interference-free connections
- Black PVC Jacket, Outer Diameter 4.8mm.
- Upstream (PC side) and downstream (device side) both support USB 3.0, USB 2.0, and USB 1.1.

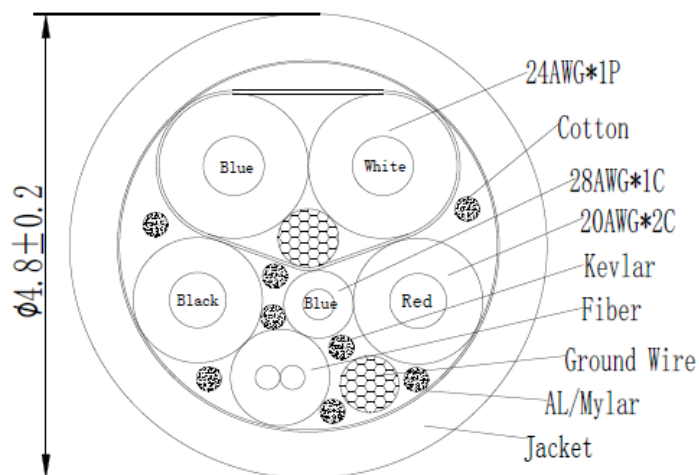
# USB Active Optical Cable

## SPECIFICATIONS

### Product Specifications

Parameter	Descriptions
Interface	USB Type A Male to Type C Male Connector
Max. Data Rate	10Gbps
Cable Length	Up to 15m (49.2ft) over Optical Fiber
Cable Diameter	4.8mm
Jacket Outer Material	Black PVC
Power Consumption	≤0.5W
Operating Temperature	-40°C to 70°C
Flammability	UL13 Standard
Environment Protection	RoHS

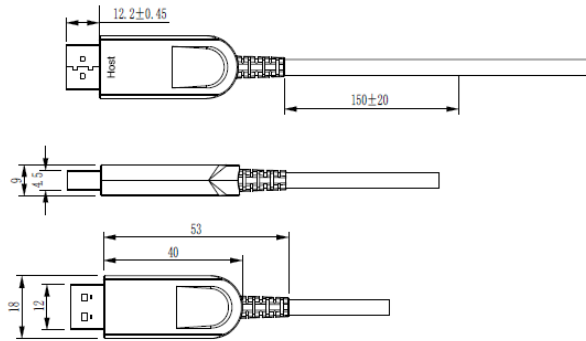
## CABLE CONSTRUCTION



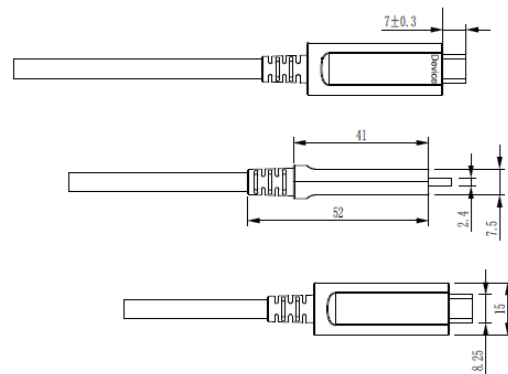
# USB Active Optical Cable

## CONNECTION DIAGRAM

### Connect to Host (e.g., PC)



### Connect to Remote Device (Peripheral)



## PACKAGE CONTENTS

- 1 × USB 3.1 Type A Male to Type C Male AOC

# USB Active Optical Cable

## HANDLING AND INSTALLATION

Proper installation and handling of USB Active Optical Cables (AOCs) are crucial to ensure optimal performance and longevity. Follow these guidelines to maintain signal integrity and ensure reliable data transmission:

### Installation Instructions:

1. **Handle with Care:** When installing the cable, avoid any sharp bends or kinks that could damage the delicate optical fiber strands inside.
2. **Secure Connections:** Connect the Type-A end to the USB host device (such as a computer or hub) and the other end to the peripheral device. Ensure a snug fit to prevent signal loss.
3. **Avoid Excessive Strain:** Provide adequate support for the cable to avoid unnecessary tension on the connectors.
4. **Gentle Handling:** Avoid pulling or twisting the cable excessively. Always disconnect devices by gripping the connectors rather than pulling on the cable itself.

### Additional Notes:

- **Directional Use:** This cable can only be used in one direction. The connectors are marked with “Host” and “Device”. Each connector must be plugged into the correct port to avoid signal loss.
- **No Intermediate Adapters and Cables:** We do not recommend using any intermediate adapters or cables between the connections. This can attenuate signal transmission performance and may result in insufficient power being supplied to the USB connection, preventing the internal fiber optic module from functioning correctly.

Following these guidelines will help ensure the longevity and reliability of your USB Active Optical Cable, providing consistent high-speed data transmission and device connectivity.

# USB Active Optical Cable

## WARRANTY

- Standard 2-Year Limited Warranty, unless otherwise specified by Sales.
- Optional Advance Replacement Warranty is available upon request

## ORDERING INFORMATION

Part Number	Descriptions	Length
<b>UDC-AMCM10G-005M</b>	USB 3.1 Type A Male to Type C Male AOC, Supports Gen 2 10Gbps, Backward Compatible with USB 2.0 and 1.1, PVC, 5m	5m
<b>UDC- AMCM10G - 008M</b>	USB 3.1 Type A Male to Type C Male AOC, Supports Gen 2 10Gbps, Backward Compatible with USB 2.0 and 1.1, PVC, 8m	8m
<b>UDC- AMCM10G - 010M</b>	USB 3.1 Type A Male to Type C Male AOC, Supports Gen 2 10Gbps, Backward Compatible with USB 2.0 and 1.1, PVC, 10m	10m
<b>UDC- AMCM10G - 012M</b>	USB 3.1 Type A Male to Type C Male AOC, Supports Gen 2 10Gbps, Backward Compatible with USB 2.0 and 1.1, PVC, 12m	12m
<b>UDC- AMCM10G - 015M</b>	USB 3.1 Type A Male to Type C Male AOC, Supports Gen 2 10Gbps, Backward Compatible with USB 2.0 and 1.1, PVC, 15m	15m

## CONTACT INFORMATION

For more information, please visit our website or contact our customer service team:

- **Website:** [www.dsgio.com](http://www.dsgio.com)
- **Email:** [sales.apac@dsgio.com](mailto:sales.apac@dsgio.com)

## DISCLAIMER

DSGio shall not be liable for any damages, including punitive, consequential, or cost of cover damages, arising from any errors in the product information or specifications provided in this document. This document is subject to revision by DSGio at any time without prior notice.