

Rackmount KVM Switch (CATx)

1U Rackmount KVM Switch (CATx), 1 User, 16 Ports, 1920 x 1200 @60Hz (VGA) / 1920 x 1080 @60Hz (DVI) Video Resolution

Model: RKS-FHDI-CX116

PRODUCT OVERVIEW

Introducing the RKS-FHDI Rackmount KVM Switch Series

The **RKS-FHDI Rackmount KVM Switch Series** is designed to provide seamless management and control for up to 32 servers, with the ability to scale up to 1024 servers via 2-level cascading. Ideal for small server room to mid-sized datacenters environments, the switch series supports HD video resolutions up to 1920x1200@60Hz (Analog/VGA) and 1920x1080p@60Hz (Digital/DVI), ensuring sharp, clear visuals for all connected systems. With multi-format video support, including DVI-I (DVI & VGA), HDMI, and DisplayPort, users can connect a wide variety of computers with ease, all over standard CAT5e/6/6a cabling.

The single or dual-user functionality allows control of up to 8, 16, or 32 servers, with intuitive access methods such as USB keyboard hotkeys and the On-Screen Display (OSD) menu. The front panel LEDs provide at-a-glance server status, while each server can be labelled for quick identification and selection. Password security ensures only authorized users can access sensitive computers, providing data protection for enterprise environments.

Designed for flexibility, the switch allows server connections to be extended up to 45 meters (148 feet) from the KVM switch to the computer access dongle, ensuring robust performance even in large setups. Additionally, the system supports audio output through a 3.5mm stereo jack, enhancing the multimedia experience. The 19" rack-mountable unit features a robust metal enclosure, and its firmware upgradeability ensures it remains adaptable as your needs evolve. Whether you are managing a small setup or scaling to large server environments, the KVM Switch Series is the perfect solution for seamless, secure, and efficient server management.

About the RKS-FHDI-CX116 Model



The **RKS-FHDI-CX116** model is ideal for small setup and SME. This model allows single-user operation over up to 16 servers/computers.

Rackmount KVM Switch (CATx)

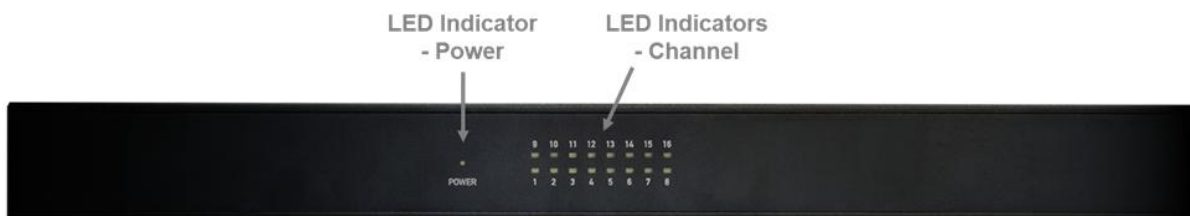
KEY FEATURES

- Enables one DVI-I Console User to control up to 16 Ports of Servers/PCs connected over CATx cable with Computer Access Dongles (CADs).
- Supports HD video resolution up to 1920x1200@60Hz (VGA) and 1920x1080@60Hz (DVI) via standard CAT5e/6/6a cabling.
- Supports multiple video interfaces, including analog VGA, DVI-I (DVI & VGA), HDMI, and DisplayPort.
- Single-user control for 16 servers (dual-user control and greater port capacities are available with other models).
- Supports switch cascading to 2 levels to expand port capacity.
- USB HID Keyboard and Mouse support for the console.
- OSD (On-Screen Display) interface and hotkeys for quick and easy access to connected computers, and control and management.
- Front Panel LEDs for instant monitoring of server status and selected channels.
- Servers/computers can be labelled for quick identification and selection.
- Password security ensures authorized access to servers/computers, offering data protection.
- Supports audio output via stereo 3.5mm jack. Audio transmission is only available with the use of HDMI or VGA CADs for the computers.
- Auto-Scan feature enabled for automatic server scanning.
- Firmware upgradeable for future enhancements.
- LED indicators monitor the status of each channel.
- Compliant with various video computer access dongles (CADs), including VGA/DVI/HDMI/DP, over CATx cable.
- Supports extension of connections up to 45 meters (148 feet) from the KVM switch to the computer access dongle over a CATx cable. The use of high-quality Shielded Twisted Pair (STP) cables is recommended.
- Robust metal enclosure ensures durability.
- 19" rack-mountable design for easy integration into server racks.

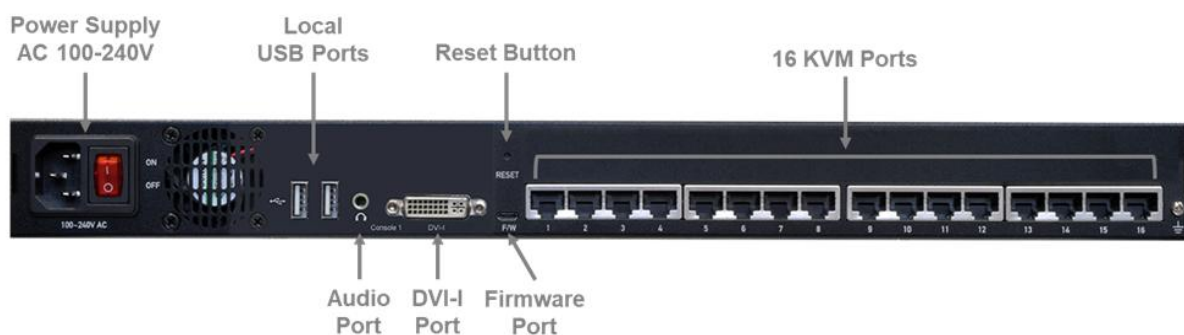
Rackmount KVM Switch (CATx)

PANEL CONFIGURATION OF RKS-FHDI-CX116

Front View



Rear View



Rackmount KVM Switch (CATx)

PRODUCT SPECIFICATIONS OF RKS-FHDI SERIES

Model Name			CX232	CX216	CX116	CX108
Console Connections			2 x Local	2 x Local	1 x Local	1 x Local
Computer Connections			32	16	16	8
Console Selection			Hot-Key and OSD Menu			
Connectors	Local Console	Keyboard	2 x USB Type A Female		1 x USB Type A Female	
		Mouse	2 x USB Type A Female		1 x USB Type A Female	
		Video	2 x DVI-I Female		1 x DVI-I Female	
		Audio	2 x 3.5mm Audio Jack		1 x 3.5mm Audio Jack	
	KVM Port (to Computer Access Dongle)		32 x RJ45 Female	16 x RJ45 Female	16 x RJ45 Female	8 x RJ45 Female
	Firmware Upgrade		1 x Micro-USB Female			
	Reset Button		1 x Tact Switch			
	Power		1 x AC Socket with Light Power Switch			
LEDs	Operation Indication	Online (White)	32 x Color LED	16 x Color LED	16 x Color LED	8 x Color LED
		Selected (Green)				
		Offline				
	Power	Power-On (White)	1 x Color LED Indicator			
Video Resolution			Up to 1920 x 1200 @60Hz (VGA), 1920 x 1080 @60Hz (DVI), DDC2B			
Power	Maximum Input Power Rating		AC Power 100V~240V/ 50~60Hz, 1.5A			
	Power Consumption		DC 12V / 5.42A (65W)			
Environment	Operating Temp.		0 ~ 50°C			
	Storage Temp.		-20°C ~ 60°C			
	Humidity		0 ~ 80% RH, Non-condensing			
Physical	Housing		Metal			
	Weight		2276g	2009g	1993g	1963g
	Dimension (L x W x H)		440 x 150 x 44mm			
MTBF			>300,000 Hours			
Safety			CE/FCC			

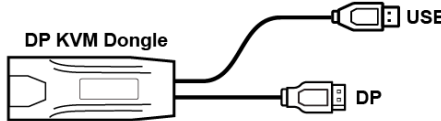
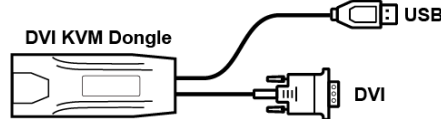
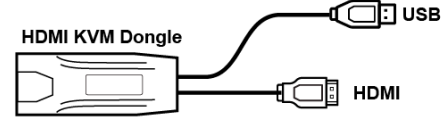
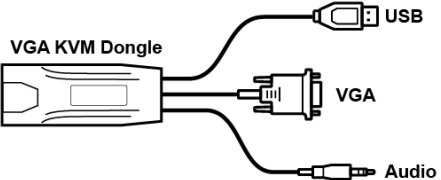
 : Specifications of RKS-FHDI-CX116 model

Rackmount KVM Switch (CATx)

COMPUTER ACCESS DONGLES FOR RKS-FHDI SERIES

Features

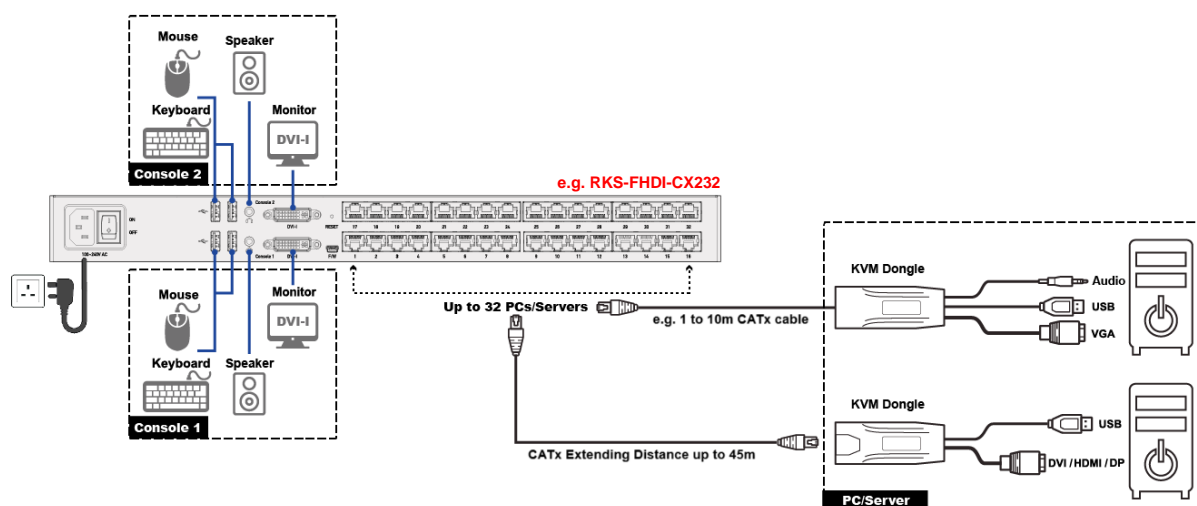
- 4 Video Interfaces: DP / HDMI / DVI / VGA to choose for the computer interface
- RJ45 x 1 for CATx cable connectivity
- Support point-to-point CAT5e/6 cable distance up to 45m (148 ft) from the KVM switch

	Model	Features
RKS-CAD-DP	 <p>DP KVM Dongle</p>	<ul style="list-style-type: none"> • USB + DisplayPort over CATx. • Does not support audio. • DP Cable Length: 16.5cm • USB Type A Cable Length: 40cm
RKS-CAD-DVI	 <p>DVI KVM Dongle</p>	<ul style="list-style-type: none"> • USB + DVI over CATx. • Does not support audio. • DVI Cable Length: 16.5cm • USB Type A Cable Length: 40cm
RKS-CAD-HDMI	 <p>HDMI KVM Dongle</p>	<ul style="list-style-type: none"> • USB + HDMI over CATx. • Supports digital audio. • HDMI Cable Length: 16.5cm • USB Type A Cable Length: 40cm
RKS-CAD-VGA	 <p>VGA KVM Dongle</p>	<ul style="list-style-type: none"> • USB + VGA + Audio Jack over CATx • Supports analog audio. • VGA Cable Length: 16.5cm • 3.5mm Audio Jack Cable Length: 40cm • USB Type A Cable Length: 40cm

Rackmount KVM Switch (CATx)

CONNECTION DIAGRAM OF RKS-FHDI SERIES

Please Note: Connection Diagram is based on RKS-FHDI-CX232. Other models will have less port capacity and CX1xx models support only single-user console.



Note:

Shielded Twisted Pair (STP) cable, such as S/FTP cable, is recommended to provide protection against internal crosstalk, alien crosstalk, EMI, ESD and RFI.

PACKAGE CONTENTS

- 1 × Rackmount KVM Switch
- 1 × Rackmount Kit
- 1 × DVI to VGA Adapter
- 1 × Power Cord
- 1 × Quick Start Guide

Note: Customer must purchase Computer Access Dongles to use with the KVM Switch for the servers' connections.

WARRANTY

- Standard 1-Year Limited Warranty, unless otherwise specified by Sales.
- Optional Advance Replacement Warranty is available upon request

Rackmount KVM Switch (CATx)

ORDERING INFORMATION

Part Number	Descriptions
RKS-FHDI-CX108	1U Rackmount KVM Switch (CATx), 1 User, 8 Ports, 1920 x 1200 @60Hz (VGA) / 1920 x 1080 @60Hz (DVI) Video Resolution
RKS-FHDI-CX116	1U Rackmount KVM Switch (CATx), 1 User, 16 Ports, 1920 x 1200 @60Hz (VGA) / 1920 x 1080 @60Hz (DVI) Video Resolution
RKS-FHDI-CX216	1U Rackmount KVM Switch (CATx), 2 Users, 16 Ports, 1920 x 1200 @60Hz (VGA) / 1920 x 1080 @60Hz (DVI) Video Resolution
RKS-FHDI-CX232	1U Rackmount KVM Switch (CATx), 2 Users, 32 Ports, 1920 x 1200 @60Hz (VGA) / 1920 x 1080 @60Hz (DVI) Video Resolution
Computer Access Dongle (CAD) *	
RKS-CAD-DP	CAD for DisplayPort video output + USB for Keyboard and Mouse. No audio support.
RKS-CAD-DVI	CAD for DVI video output + USB for Keyboard and Mouse. No audio support.
RKS-CAD-HDMI	CAD for HDMI video output + USB for Keyboard and Mouse. Supports digital audio transmission.
RKS-CAD-VGA	CAD for VGA video output + USB for Keyboard and Mouse + Audio Jack. Supports analog audio transmission.

*** Item is ordered separately. Not included with the KVM Switch.**

Per Server/Computer requires one Dongle for connection to the KVM Switch's Port. E.g., RKS-FHDI-CX116 supports maximum 16 dongles for 16 server connections.

CONTACT INFORMATION

For more information, please visit our website or contact our customer service team:

- **Website:** www.dsgio.com
- **Email:** sales.apac@dsgio.com

DISCLAIMER

DSGio shall not be liable for any damages, including punitive, consequential, or cost of cover damages, arising from any errors in the product information or specifications provided in this document. This document is subject to revision by DSGio at any time without prior notice.